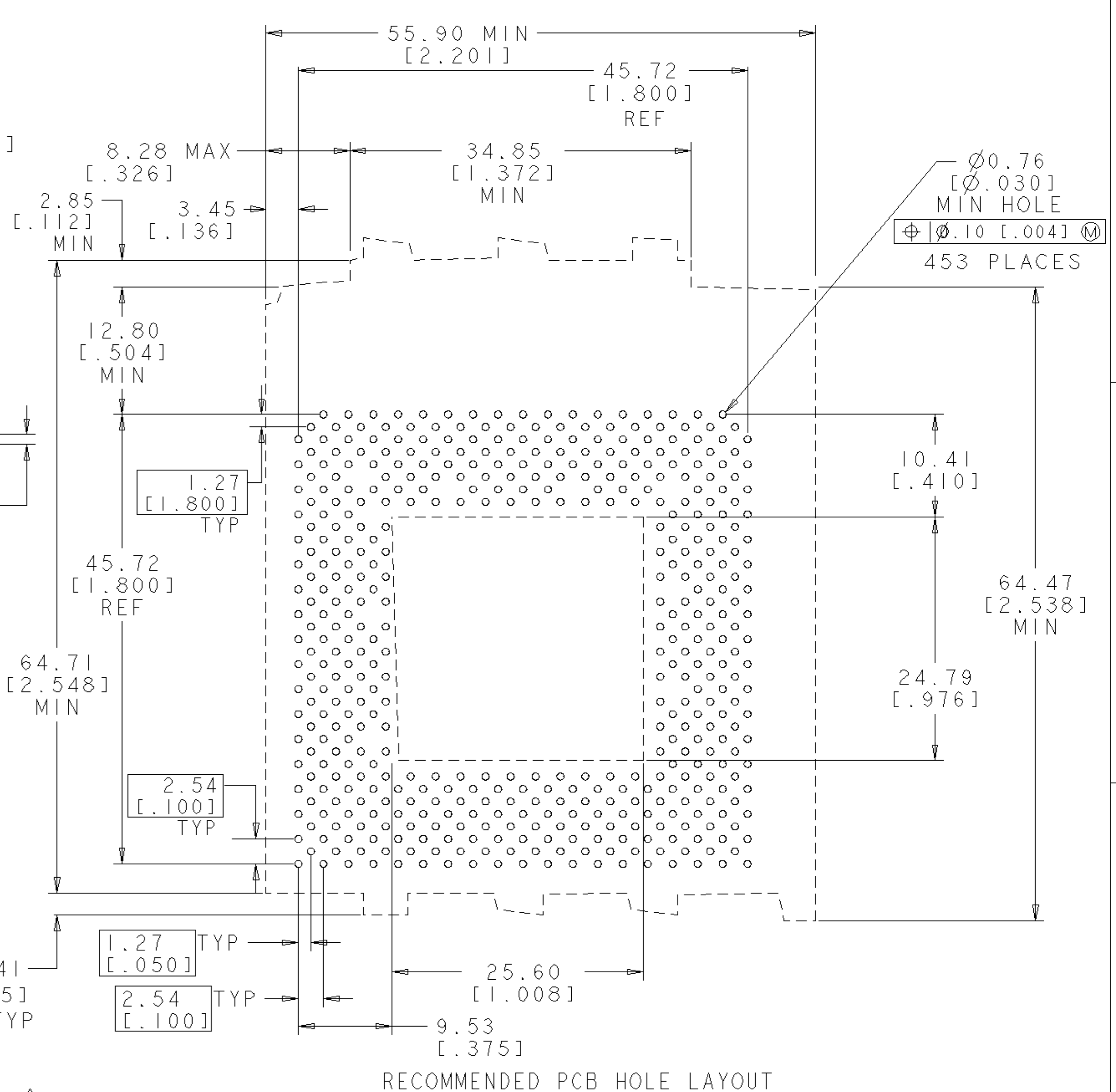
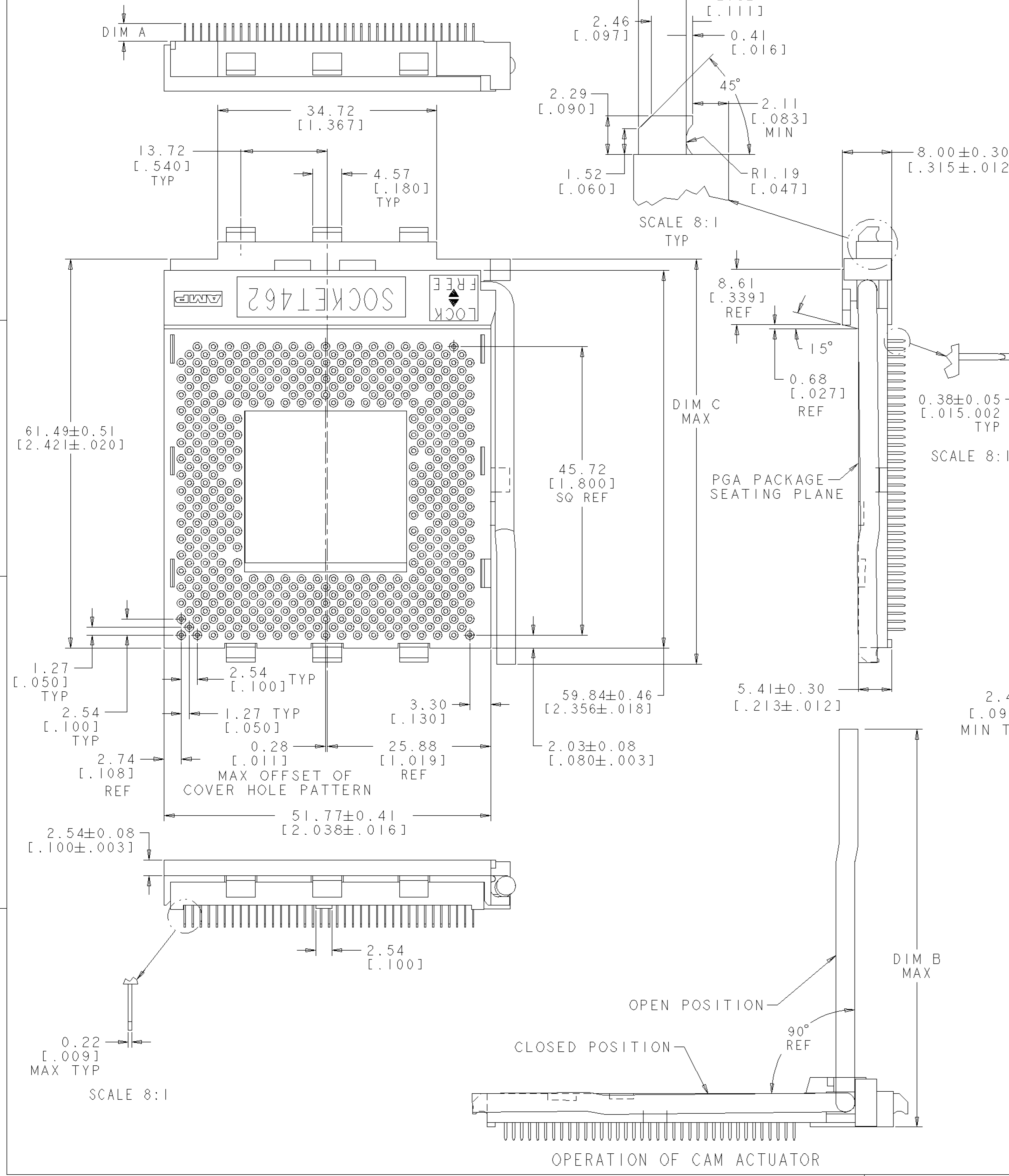


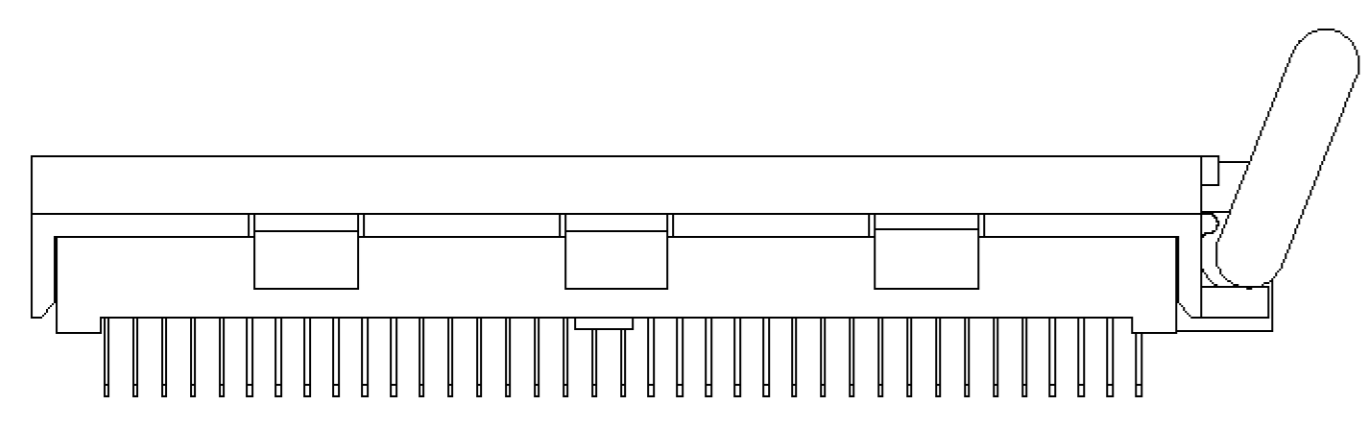
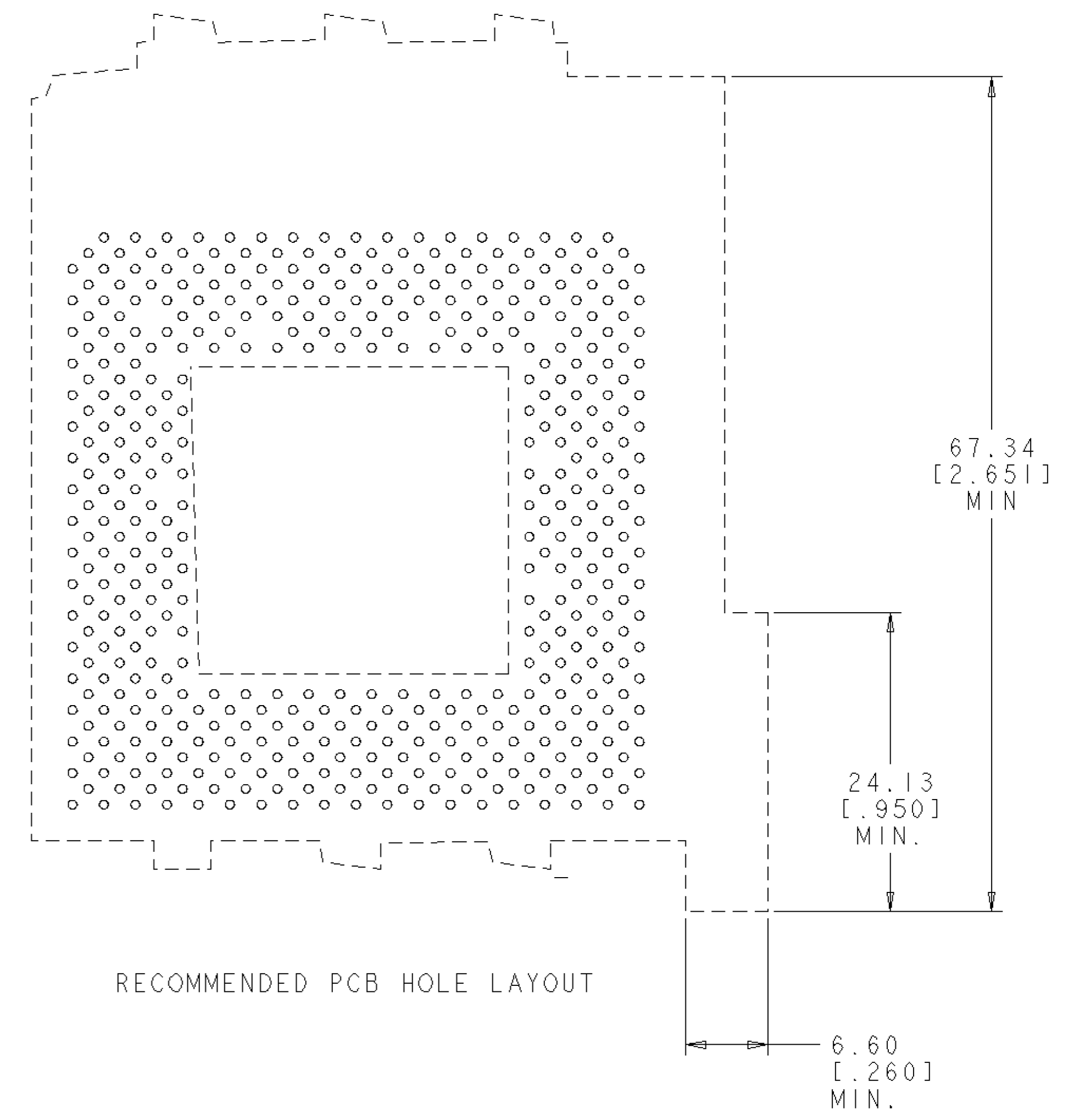
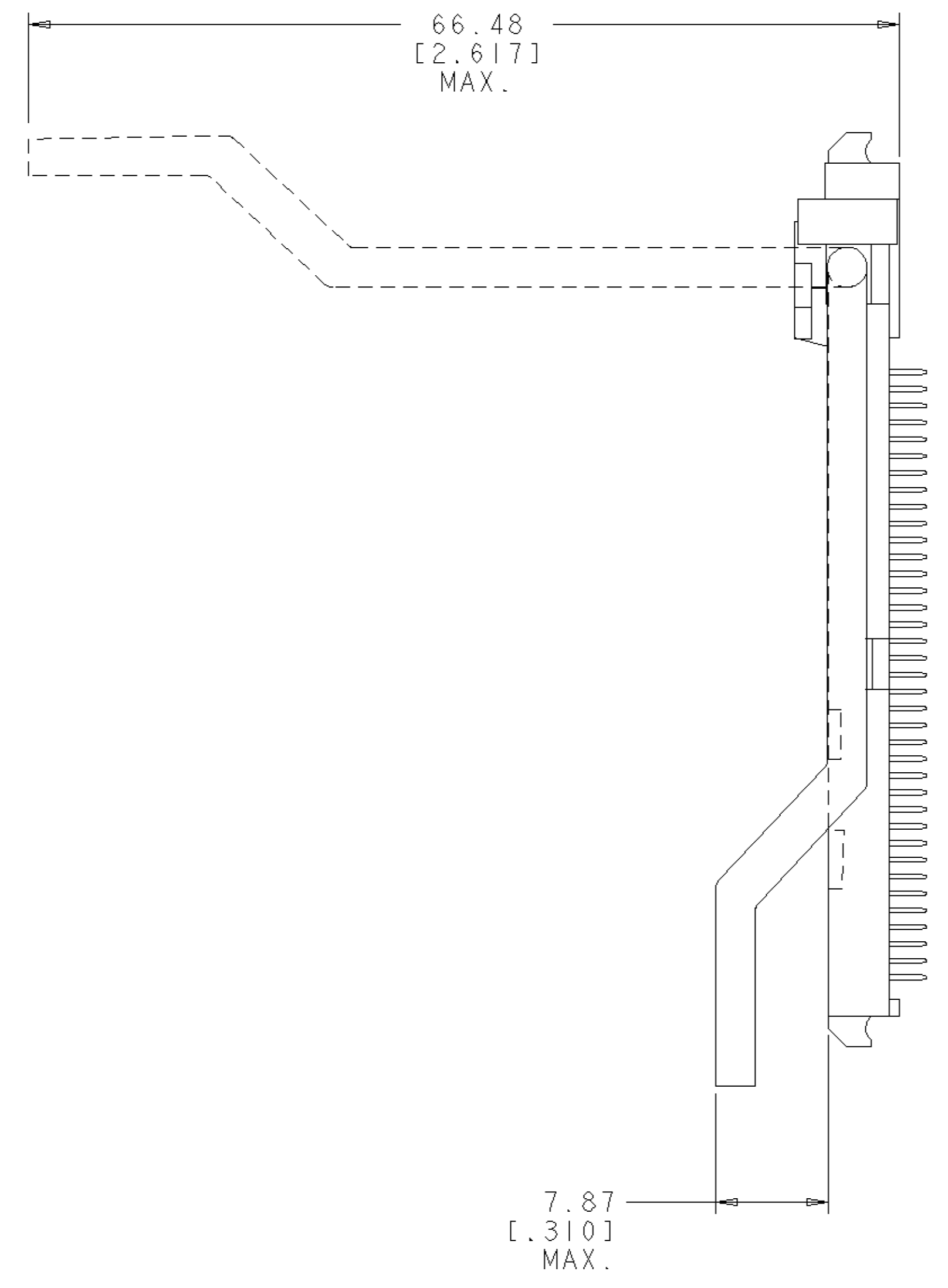
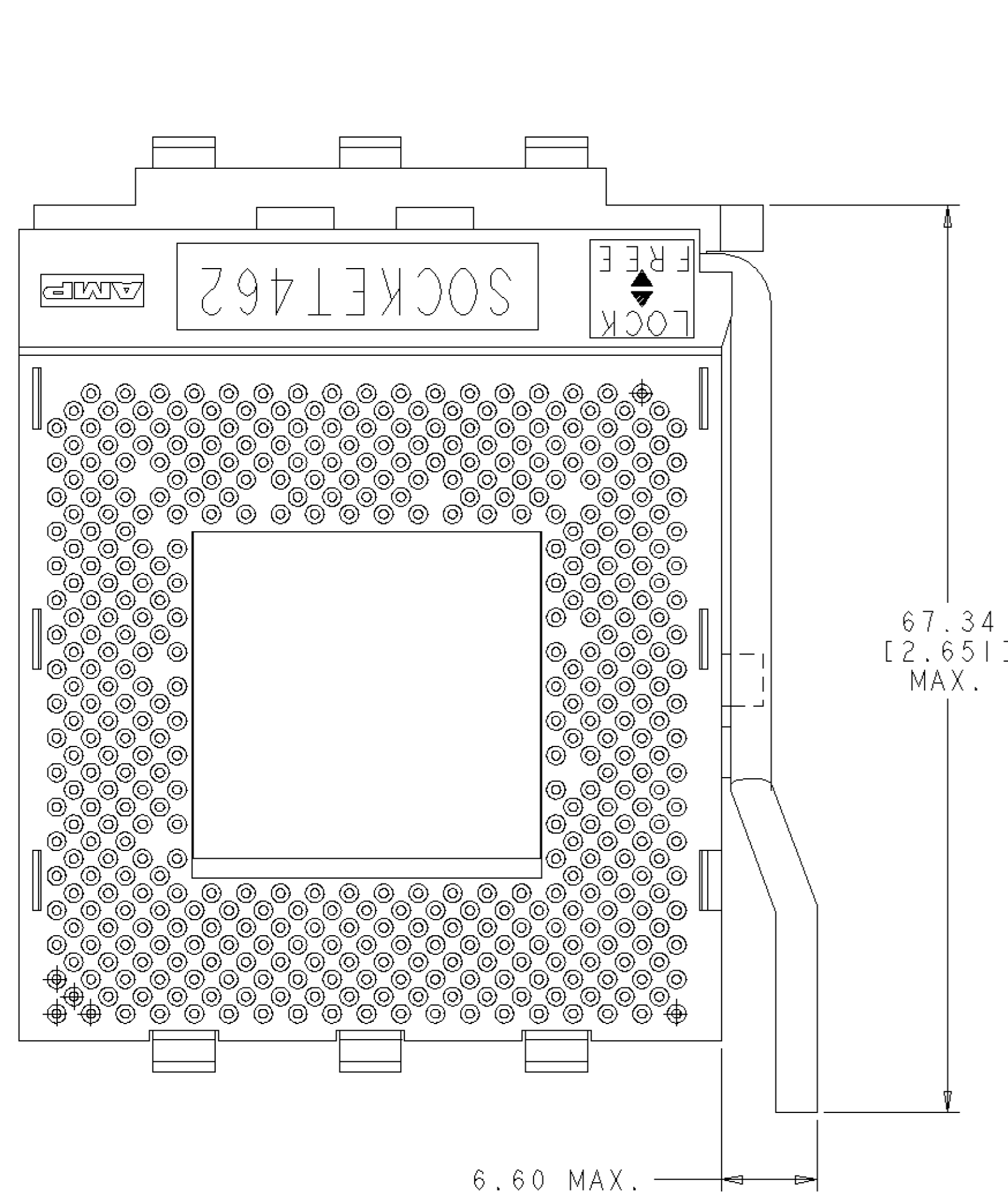
LOC		DIST		REVISIONS			
NO	BY	DATE	DESCRIPTION	DATE	BY	APPROV	
B		27 JUN 01	REVISED FP00-0242-01		LWY	LSF	



- MATERIAL:** HOUSING AND COVER ARE HIGH TEMPERATURE THERMOPLASTIC, LIQUID CRYSTAL POLYMER (LCP), COLOR: NATURAL. LP SLZ LEVER MATERIAL IS STAINLESS STEEL. CONTACT MATERIAL IS COPPER ALLOY.
- FINISH:** CONTACT AREA- GOLD THICKNESS PER TABLE OVER 0.0038 [.000150] MIN. THICK NICKEL PLATE. SOLDERTAIL- 0.0038 [.000150] MIN. THICK TIN-LEAD OVER 0.00127 [.000050] MIN THICK NICKEL PLATE. CONTACT AREA SHALL BE FREE OF LUBRICANT.
- TRAY PACKAGED, 90 SOCKETS PER SHIPPING BOX.

SHEET 2	67.34 [2.651]	66.48 [2.617]	2.79 [.110]	FLASH	1-916788-4
SHEET 1	64.47 [2.538]	63.60 [2.504]	2.79 [.110]	FLASH	916788-4
SHEET 1	64.47 [2.538]	63.60 [2.504]	2.36 [.093]	FLASH	916788-3
SHEET 1	64.47 [2.538]	63.60 [2.504]	2.79 [.110]	0.00038 [.000015]	916788-2
SHEET 1	64.47 [2.538]	63.60 [2.504]	2.36 [.093]	0.00038 [.000015]	916788-1
VIEW	DIM C MAX. HANDLE HT. CLOSED POSITION	DIM B MAX. HANDLE HT. OPEN POSITION	SOLDERTAIL LENGTH DIM A ± 0.25 [± .010]	MIN GOLD THICKNESS	PART NO.

THIS DRAWING IS A CONTROLLED DOCUMENT.		A. HOLT 12 APR 08		AMP MANUFACTURING (SINGAPORE) PTE. LTD.	
DIMENSIONS: (MM [INCHES])		TOLERANCES UNLESS OTHERWISE SPECIFIED:		NAME	
Ø	PLC	±	APPROV	SF. LEONG	
PLC	PLC	±	PRODUCT SPEC	SOCKET ASSEMBLY, LOW PROFILE, ZIF PGA, 19 X 19 GRID	
PLC	PLC	±	APPLICATION SPEC	108-1572	
PLC	PLC	±	SIZE	114-1100	
PLC	PLC	±	WEIGHT	AI 00779 916788	
PLC	PLC	±	CUSTOMER DRAWING	SCALE 3:1 SHEET 1 OF 2 REV B	



PART NUMBER: 1-916788-4

THIS DRAWING IS A CONTROLLED DOCUMENT.		A. HOLT 12 APR 08		AMP MANUFACTURING (SINGAPORE) PTE. LTD.	
DIMENSIONS: mm (INCHES)		TOLERANCES UNLESS OTHERWISE SPECIFIED:		NAME: B. KUHNLY	
0 PLC ±		1 PLC ±		APPROV: SE LEONG	
2 PLC ±		3 PLC ±		PRODUCT SPEC: 108-1572	
4 PLC ±		ANGLES ±		APPLICATION SPEC: 114-1100	
FINISH		MATERIAL		SIZE: A1	
CUSTOMER DRAWING		WEIGHT: -		CASE CODE: 00779	
				DRAWING NO: 916788	
				RESTRICTED TO: -	
		SCALE: 3:1		SHEET: 2 OF 2	
				REV: 8	